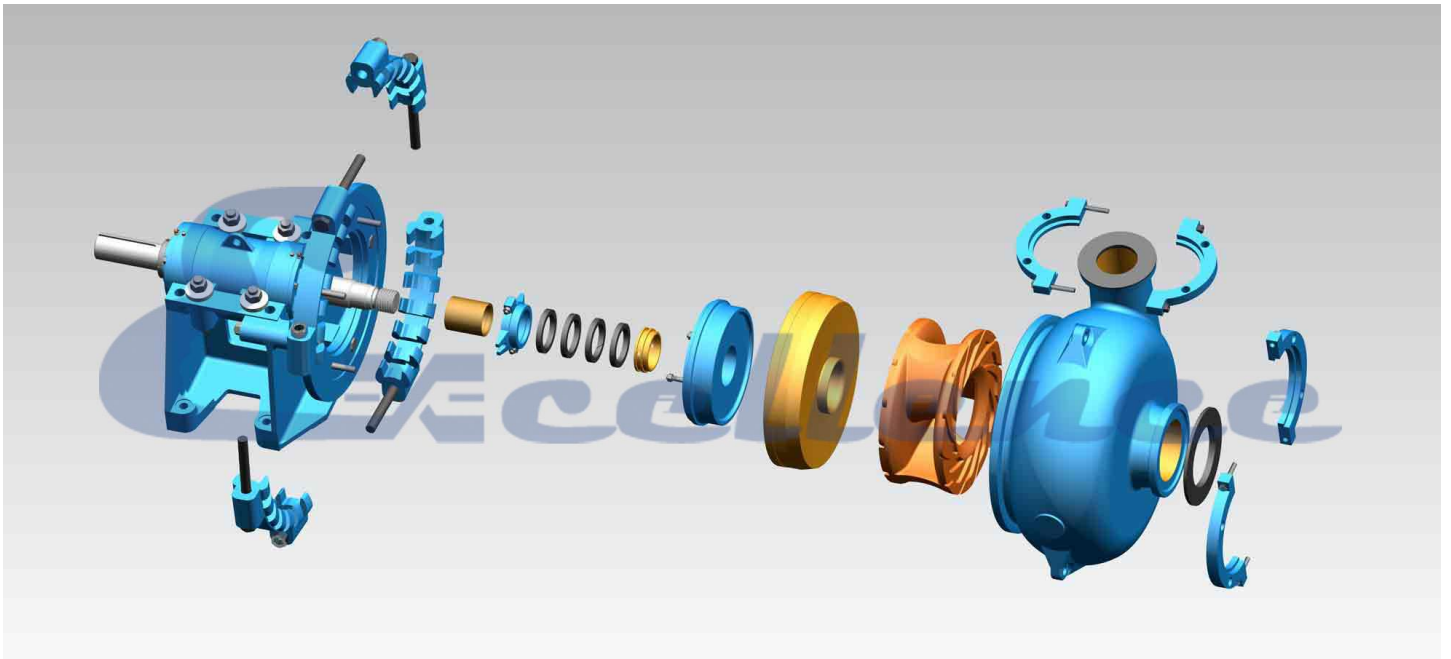




ES series gravel pumps are horizontal single-casing slurry pumps with wide passage to transfer sand or slurry with big particle size. The wet parts are made of Ni-hard and high-Chrome alloys to ensure long service life. ES gravel pumps has far better performance than common pumps in dredging, sand mining, barge loading and mineral processing, etc. Featured with all the advantages of ES series, ESG series gravel pumps have achieved extra high head for special working conditions.

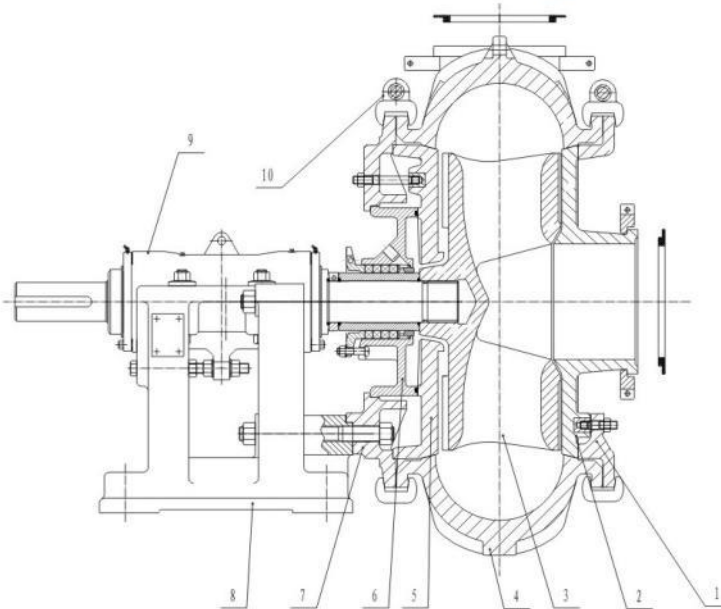


- Broad path created by single casing and clamp bands connection
- Unique design to make maintenance and wet parts replacement convenient.
- The wet parts are made of Ni-hard and high-chrome wear-resistant alloys with good anti-corrosive property.
- The discharge direction of pump can be oriented in any direction of 360°.
- The standard seal type is packing seal.
- Good performance of NPSH.



## ❖ Structure

### Series ES structural drawing:



1. Cover plate
2. Throatbush
3. Impeller
4. Bowl
5. Back liner
6. Stuffing box
7. Mounting plate
8. Frame
9. Bearing assembly
10. Clamp ring

Note: this is the basic drawing of structure. There would be some differences up to varied discharge size.



## Material

The material for standard ES series pump is high-chrome alloy. This kind of material is wear resistant and has excellent performance under erosive conditions.

- KmTBCr27: hard carbides within its microstructure provides strong wear resistance
- KmTBCr28: its hardness is 430 in Brinell and suitable for corrosive applications where pH is below 4.
- KmTBCr35: its hardness is 450 in Brinell and has much improved corrosion resistance.

## Shaft Seal

There are three standard shaft seal methods:

- Packing seal: it is the lowest in cost.
- Expeller seal: it is most commonly used.
- Mechanical seal: it has best seal effect, but high in cost and has strict requirement of flush water.

## Bearing Assembly

Convenient to adjust the space between impeller and front liner and can be removed completely;

- Lubricated by grease;
- Easy maintenance;

## ❖ Performance Chart

	Allowable Max. Power P(Kw)	Clear Water Performance						Impeller
		Capacity Q		Head H(m)	Speed n(r/min)	Top Efficiency η%	NPSH(m)	Impeller Diameter D(mm)
		m <sup>3</sup> /h	l/s					
ES-4D	60	36-250	10-70	5-52	600-1400	58	2.5-3.5	378
ES-6E	120	126-576	35-160	6-45	800-1400	60	3-4.5	378
ES-8S	560	216-936	72-260	8-52	500-1000	65	3-7.5	533
ESG-8S	560	180-1440	50-400	24-80	500-950	72	2.5-5	711
ES-10G	600	360-1548	100-430	10-60	400-850	65	1.5-4.5	667
ESG-10G	600	288-2808	80-780	16-80	350-700	73	2-10	950
ES-12G	600	576-3024	160-840	8-70	300-700	68	2-8	864
ES-14G	600	720-3600	200-1000	18-44	300-500	70	3-9	1016
ESG-14TU	1200	324-3600	90-1000	26-70	300-500	72	3-6	1270
ES-16TU	1200	720-4320	200-1200	12-48	250-500	72	3-6	1067

## ❖ Application

Series ES slurry pumps are widely used in mining, coal washing, power plant, metallurgy, petrochemical, building material, dredging, and other industrial fields, etc.

*ES-12ST in Coal Washery in Asia*



### Typical Application:

- Sand Excavation
- Coal Washery
- Power Plant
- Mineral Processing Plants
- Other industries

*ES-10G in Dredging in Asia*



**Headquarter:**

Add: No.368, Xinshi North Road, Shijiazhuang, Hebei, China 050091.

**Beijing Branch:**

Add: No.78, East 4th Ring Middle Road, Beijing, China 100124.

Tel: +86-10-59626498

Fax: +86-10-59626499

For inquiries, please send your emails to [sales@excellencepump.com](mailto:sales@excellencepump.com)

For customer service, please send your emails to [service@excellencepump.com](mailto:service@excellencepump.com)