



EV series sump pumps distinct themselves from traditional sump pumps in its great capacity, high head and high efficiency. Based on Excellence horizontal pumps, EV series can be adapted to nearly any requirement of customers.



- Compared to traditional sump pumps, EV series sump pumps have superb performance in capacity, head and efficiency.

- Unique cantilevered design makes EV series work normally even if the suction volume is not enough.

- Various pump models are available including traditional single-casing pumps as well as pioneering double-casing ones.

- Don't need any seal and seal water.

Tips:

- Series EV pumps include EVHM, EVHR, EVLM, EVZG, EVZ, EVS and so on. The clear water performance for every series of products could refer to EHM, EHR, ELM, EZG, EZ, ES and so on.

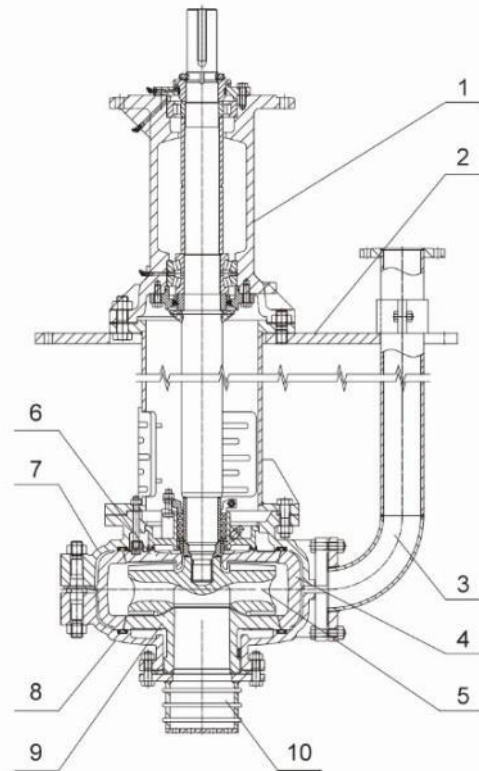
- The suction pipe could be added and the pipe length could be selected according to customers' requirement. In that case, packing seal should be kept and the shaft seal water should be added. The pressure of shaft seal water should be a little higher than that of discharge side.

❖ Structure

Series EV Structural Drawing:

1. Bearing assembly
2. Mounting plate
3. Discharge pipeline
4. Volute liner
5. Impeller
6. Frame plate liner plate
7. Frame plate
8. Cover plate
9. Throatbush
10. Lower strainer

Note: this is the basic drawing of structure.
There would be some differences up to varied discharge size.



❖ Application

Series EV slurry pumps are widely used in mining, coal washing, power plant, metallurgy, petrochemical, building material, dredging, and other industrial fields, etc.

Typical Application:

- Iron Ore Dressing Plant
- Copper Concentration Plant
- Gold Mine Concentration Plant
- Molybdenum Concentration Plant
- Potash Fertilizer Plant
- Other Mineral Processing Plants
- Alumina Industry
- Coal Washery
- Power Plant
- Sand Excavation
- Building Material Industry
- Chemical Industry
- Other industries

EVHM-6SV in Coal Washery in Australia



EVHM-4RV in Southern American Iron Ore Dressing Plant

Headquarter:

Add: No.368, Xinshi North Road, Shijiazhuang, Hebei, China 050091.

Beijing Branch:

Add: No.78, East 4th Ring Middle Road, Beijing, China 100124.

Tel: +86-10-59626498

Fax: +86-10-59626499

For inquiries, please send your emails to sales@excellencepump.com

For customer service, please send your emails to service@excellencepump.com